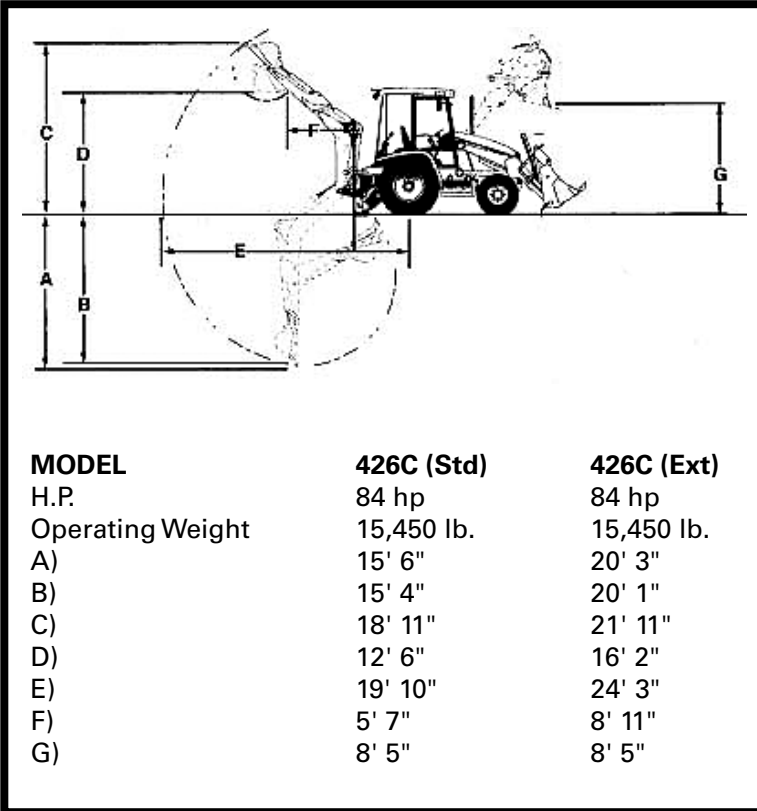




CATERPILLAR 426C BACKHOE LOADER

Specifications



Key:

- A) Digging Depth
- B) 2' Flat Bottom
- C) Overall Operating Height - Fully Raised
- D) Loading Height
- E) Overall Load Reach from Swing PivoT
- F) Loading Reach
- G) Dump Height @ Max. Dump Angle (GP Bucket @ 1.25 cubic yard)

Note: Hydraulic compactors and hammers are available on some models

Specifications shown are for standard stick (Std) and for Extendible Stick (Ext) with Stick Extended.



MATT-CON SERVICES CORPORATION

37 Bethpage Road
Hicksville NY 11801

Telephone: 516.938.3200

Facsimile: 516.938.4617

Email: contact@matt-con.com

Website: www.matt-con.com